

TETRAPOD VIAL

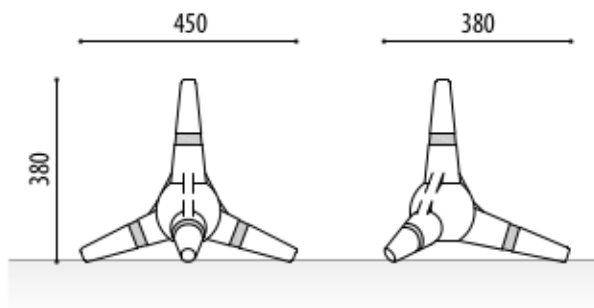
ALPES



Ref. CTETRA01

MEASURES:

Height: 380 mm.
Width: 380 mm.
Length: 450 mm.
Weight: 0,5 Kg.



Alpes model road tetrapod made of highly flexible polyethylene plastic, which allows them to withstand large impacts and degradation from sunlight.

They have great stability due to their multiple support system, quick use and easy storage.

Ideal for use in most police controls, on roads, cities and emergency situations.

Supplied with Level II reflective tape.

STANDARD COLORS:

Orange Ref. CTETRA01

